

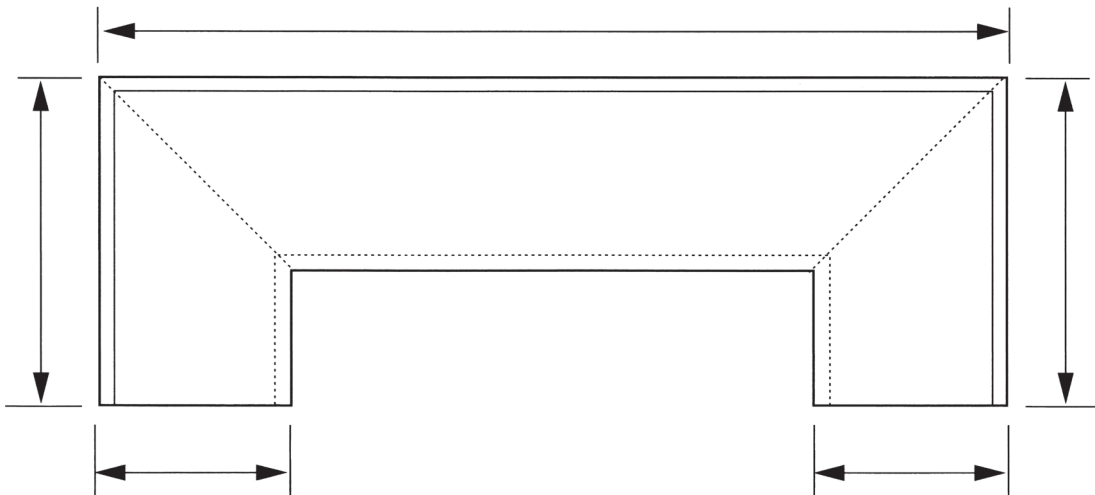
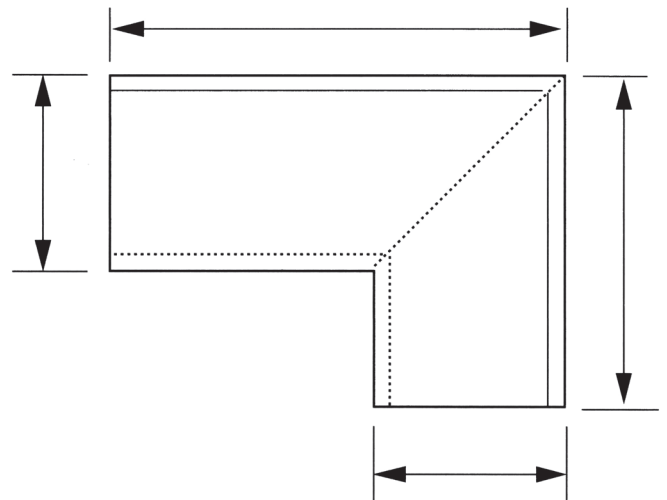
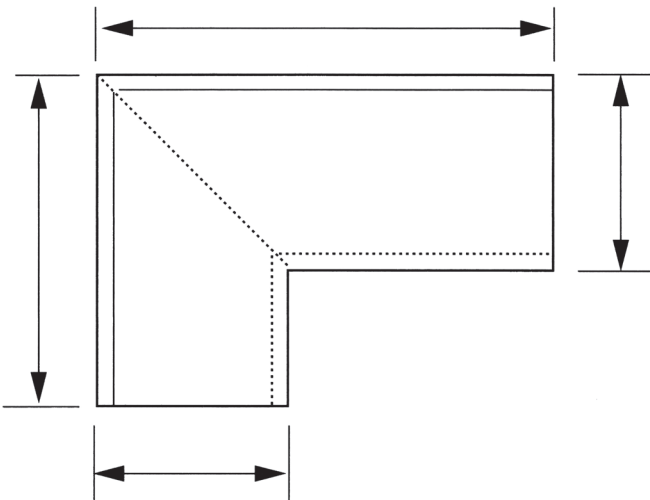
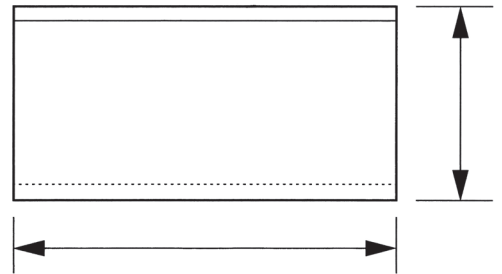
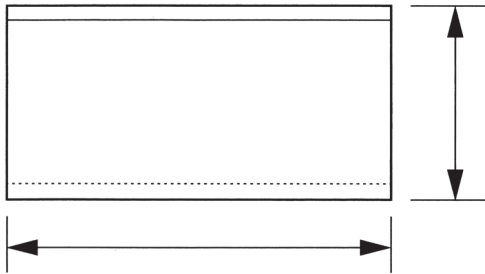
NAME: _____

ADDRESS: _____

CITY: _____

TEL: _____ FAX: _____

PATTERN: _____



IMPORTANT: USE A STEEL TAPE FOR MEASURING
PLUS COMMON SENSE AND CARE!!!

.....
Measurement certified correct. Signature